

Project: _____

Fixture Type: _____

Location: _____

Contact/Phone: _____

The LRKT565 is 5 / 6 inch LED Retrofit kit with Eyeball. It is compatible with most of 5 and 6 inch standard recessed new construction and remodel housings. The retrofit kit comes with a E26 medium screw-base Edison adaptor for easy installation into standard incandescent sockets.

DESCRIPTION

- Diecast aluminum heatsink dissipates heat from the LED board
- 4 different colors for trim White, Black, Bronze, Satin Nickel
- Torsion spring mounting style are designed to accommodate most 5 inch and 6 inch standard and shallow housings
- Adjustable eyeball offers 22-degree tilt and up to 355-degree rotation
- E26 medium screw-base Edison adaptor provides easy installation into Incandescent housings (GU10 and GU24 socket adaptor available - sold separately)

LED LIGHT ENGINE

- Protected LED driver performs at 120V
- Dimming down to 10% with most dimmers
- CCT 2700K, 3000K, 4000K, 5000K available
- CRI ≥80 or ≥90
- Long life LED chips guaranteed up to 50,000 hours

WARRANTY

Guaranteed five years from the purchase date of the product, against mechanical defects in manufacturing.

LISTINGS

- cULus classified
- Energy star qualified
- Damp locations
- RoHS compliances
- Tested in accordance with IESNA LM79 & LM80

PERFORMANCE DATA

Input Voltage	120V
Input Power	12.5W
Frequency	50 / 60Hz
CRI	90
T Ambient	-30 °C ~40 °C (-22 °F ~104 °F)
CCT	3000 K
Lumens	930 lm

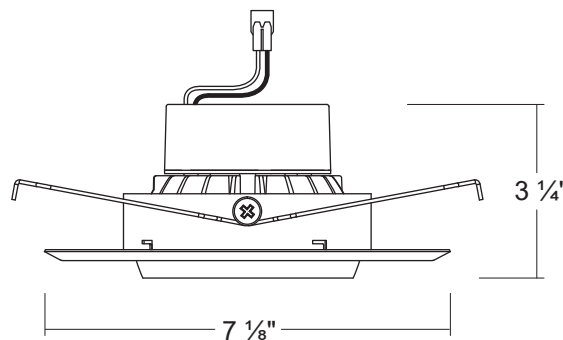
(all values at 25°C without a dimming control in circuit)

LRKT565

5" and 6" LED Eyeball Retrofit Kit



DIMENSIONS



PRODUCT CODES

Model NO.	Description
LRKT565W	5 / 6" LED Retrofit / Eyeball / White
LRKT565B	5 / 6" LED Retrofit / Eyeball / Black
LRKT565SN	5 / 6" LED Retrofit / Eyeball / Satin Nickel
LRKT565BZ	5 / 6" LED Retrofit / Eyeball / Bronze

List of Triac Dimmer Switch

Mfr	Model #	Dimming Rate
COOPER	DLC03P	10 - 100%
Leviton	1A1505 / 1C1605	10 - 100%
Leviton	6631 / 6633	10 - 100%
Lutron	CT-603PG / CT-600PR	10 - 100%
Lutron	DV-600PR / DV603PG	10 - 100%
Lutron	DVW-603PGH / DVCL-153P	10 - 100%
Lutron	MACL-153M / TGCL-153P	10 - 100%
Lutron	S-600PR / S-2-LH	10 - 100%